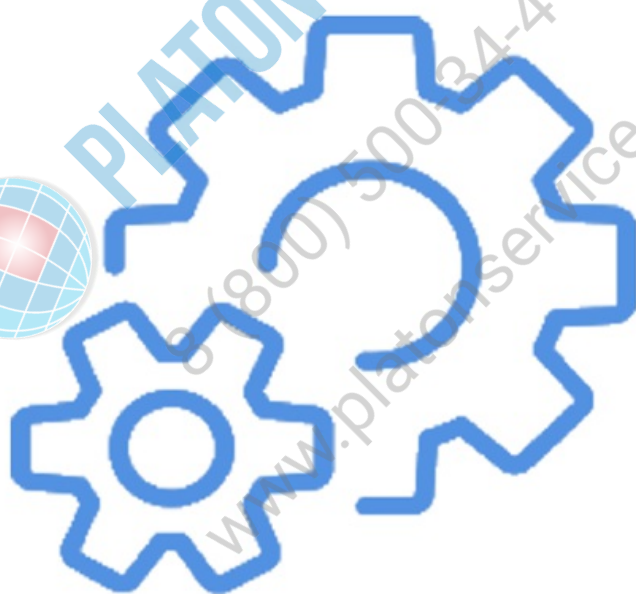


**cod.DW014**

**Catalogo ricambi  
Spare parts catalog  
Catalogue de pièces détachées  
Ersatzteilkatalog  
Catálogo de repuestos  
Catálogo de peças de reposição  
Каталог запасных частей**

data:17/08/2022

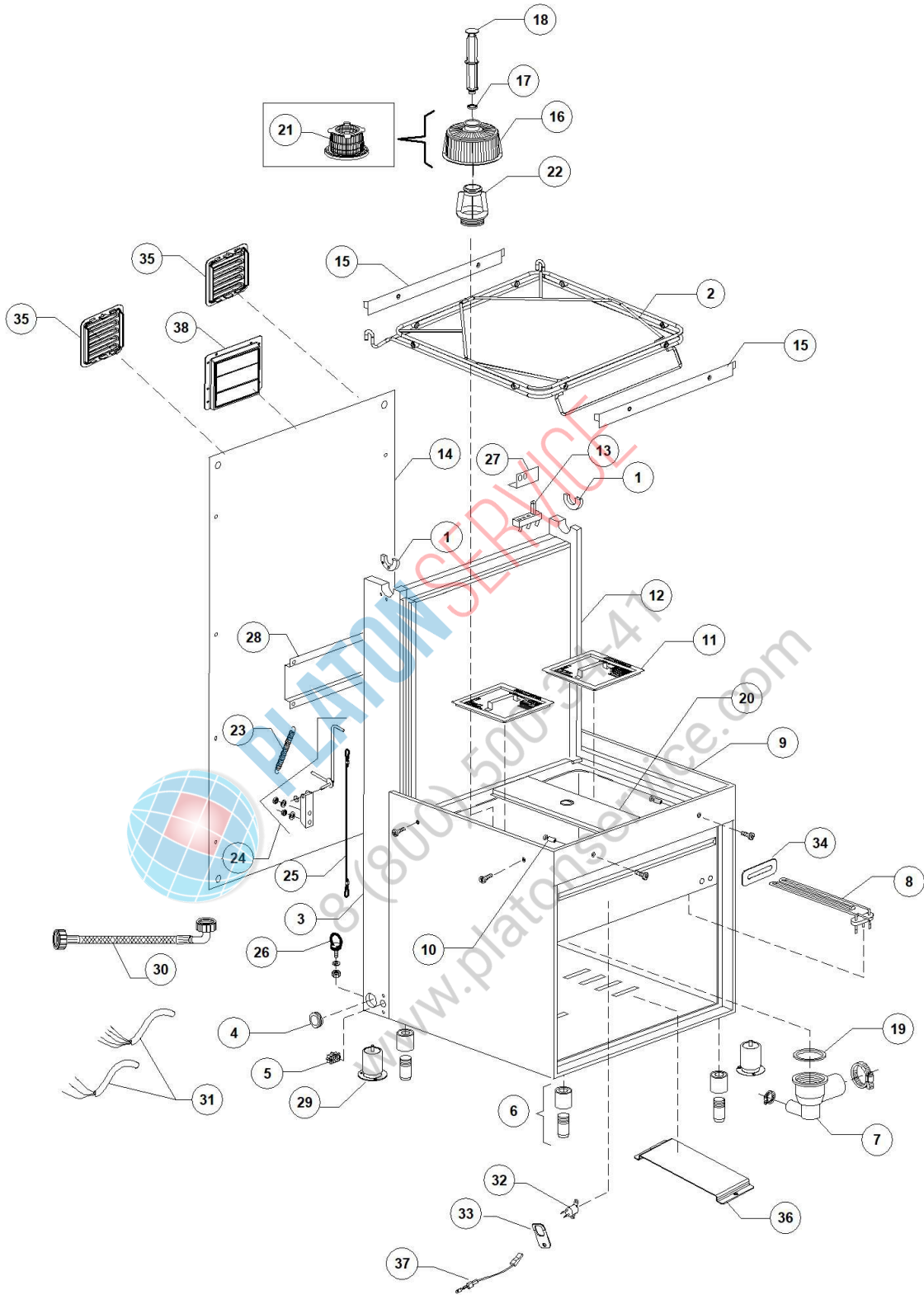
**HT11 UGOLINI PS DDE TS 380-400/3N/50**



**S/N:DWD1008488**



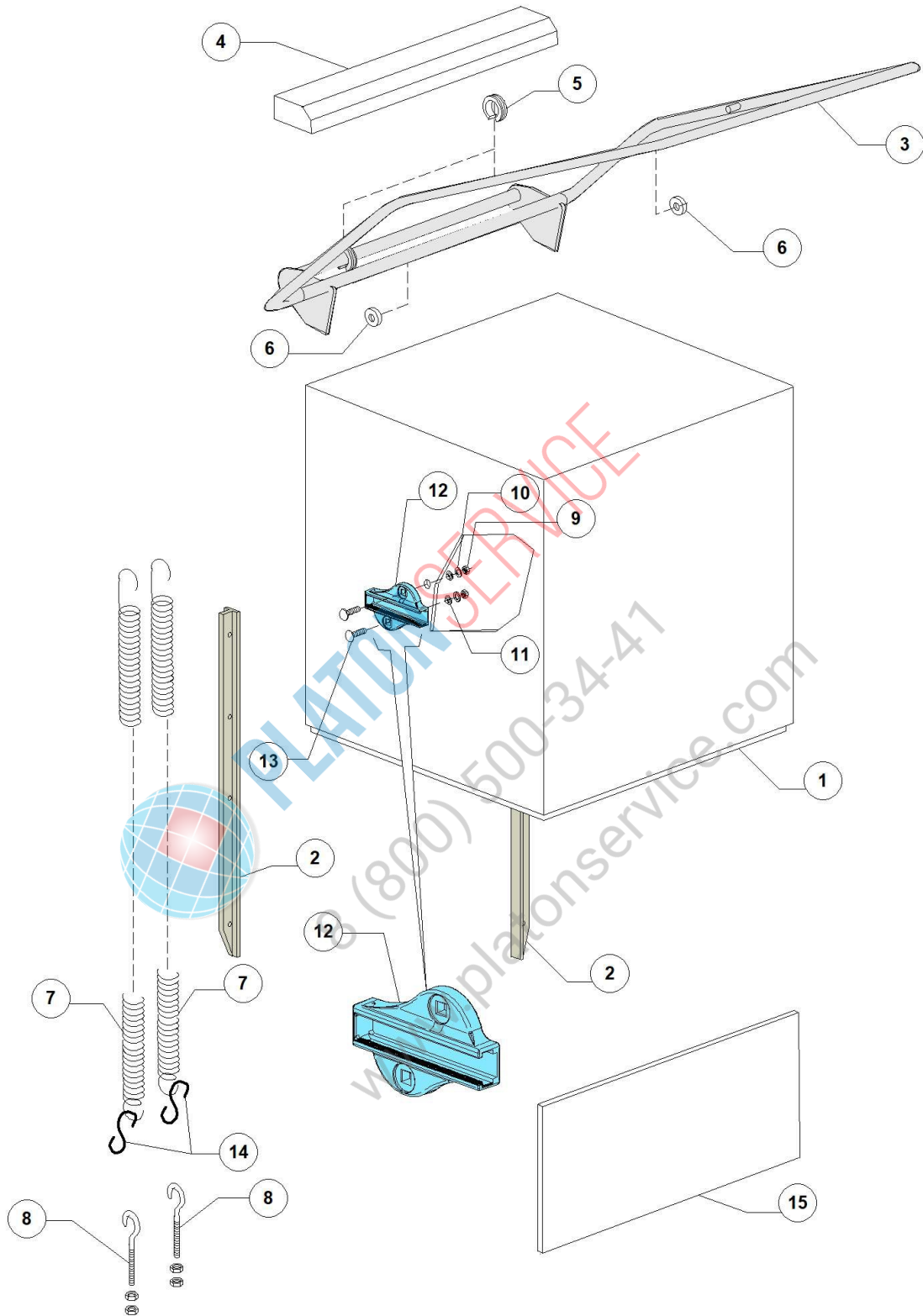
HT11 UGOLINI PS DDE TS 380-400/3N/50 - DWD1008488 - Gruppo carrozzeria - DW014



HT11 UGOLINI PS DDE TS 380-400/3N/50 - DWD1008488 - Gruppo carrozzeria - DW014

Pos.	Codice	Descrizione	Description
1	DW11600055	BOCCOLA GUIDA MANIG.DX-SX G12	RIGHT/LEFT HANDLE PILOT BUSH
2	DW11600001	SUPPORTO CESTO AISI 304 GASTRO 12S	S/S BASKET SUPPORT 12S
3	DW11600621	MONTANTE SX G 12S	LEFT STANDARD
4	DW13324	PASSACAVO GOMMA D.46X50	RUBBER FAIRLEAD D.46X50
5	DW15065/A	FISSACAVO PER VITI AUTOF (NR.2x11007)	CABLE-FASTENER WITH SCREW
6	DW15116	"PIEDINO 2" M10 REG. 132-210"	"ADJUSTABLE FOOT M10 132-210 2""
7	DW500606	POZZETTO CON SCARICO LATERALE DX	RIGHT SIDE SCRAP TRAY
8	DW150047	RESIST.2700/2940W 230/240V 1	2700/2940W 230/240V 1 HEATING ELEM.
9	DW76000	ASS.BASE-VASCA-SCHIENALE 11/04	BASE+TANK+BACK ASSEMBLY
10	DW11600018	PERNO SUPPORTO PORTACESTO	BASKET HOLDER PIN SUPPORT
11	DW11600907	FILTRO VASCA POS. G12/03 & 11/03	TANK BACK FILTER
12	DW11600620	MONTANTE DX G 12S	RIGHT STANDARD
13	DW70305	FINECORSO A PULSANTE MF17	LIMIT STOP PUSH BUTTON
14	DW11600630	SCHIENALE POSTERIORE G-12S (1X 3071286)	BACK PANEL 12S
15	DW10600923	SPONDINA CESTO 1200	BASKET BOARD
16	DW500616	FILTRO ASPIR. GS50 GRIGIO	SUCTION FILTER
17	DW13021	GUARNIZIONE DEM 40 PER TROPPOPP. GS	OVERFLOW PIPE GASKET DEM 40 (MIN. 2 PCS)
18	DW500619	ASSIEME TROPPO PIENO H208 CON TAPP	OVERFLOW PIPE H208
19	DW80208	GUARNIZIONE RAMPA LP2 DIAM.95X75X3	RISER GASKET D.95X75X3 (MIN. 2 PCS)
20	DW76007	TRAVERSO CENTRALE SUP.FILTRO 11/04	CENTRAL TRANSVERS.SUPP.FOR FILTER 11/04
23	DW10700	MOLLA PER PORTA DIS.LS034 DERBY	DOOR SPRING
24	DW11600059	ASSIEME SICUREZZA CAPOTTE	SAFETY SYSTEM ASSEMBLY SUPPORT
25	DW76252	CORDA PER SISTEMA SICUREZZA 11/04	SAFETY SYSTEM ROPE 11/04
26	DW11600058	GANCIO GOLFARE MASCHIO M8 ZINC	M8 ZINC PLATED MALE HOOK
27	DW11600919	SQ.SUPPORTO MICRO G 12S	MICROSWITCH SUPPORT
28	DW11600625	SUPPORTO TIRANTI MOLLE	TIE ROD SPRING SUPPORT
30	DW10900001	CANNA CARICO GROSSA M 1,5 EN61770	LOAD PIPE M 1,5 EN61770
31	DW80200	CAVO ALIMENTAZIONE 5X4X3400	CABLE 5X4X3400
34	DW250043	PIASTRINA RESISTENZA VASCA	TANK HEATING ELEMENT PLAQUE

HT11 UGOLINI PS DDE TS 380-400/3N/50 - DWD1008488 - Capotta - DW014

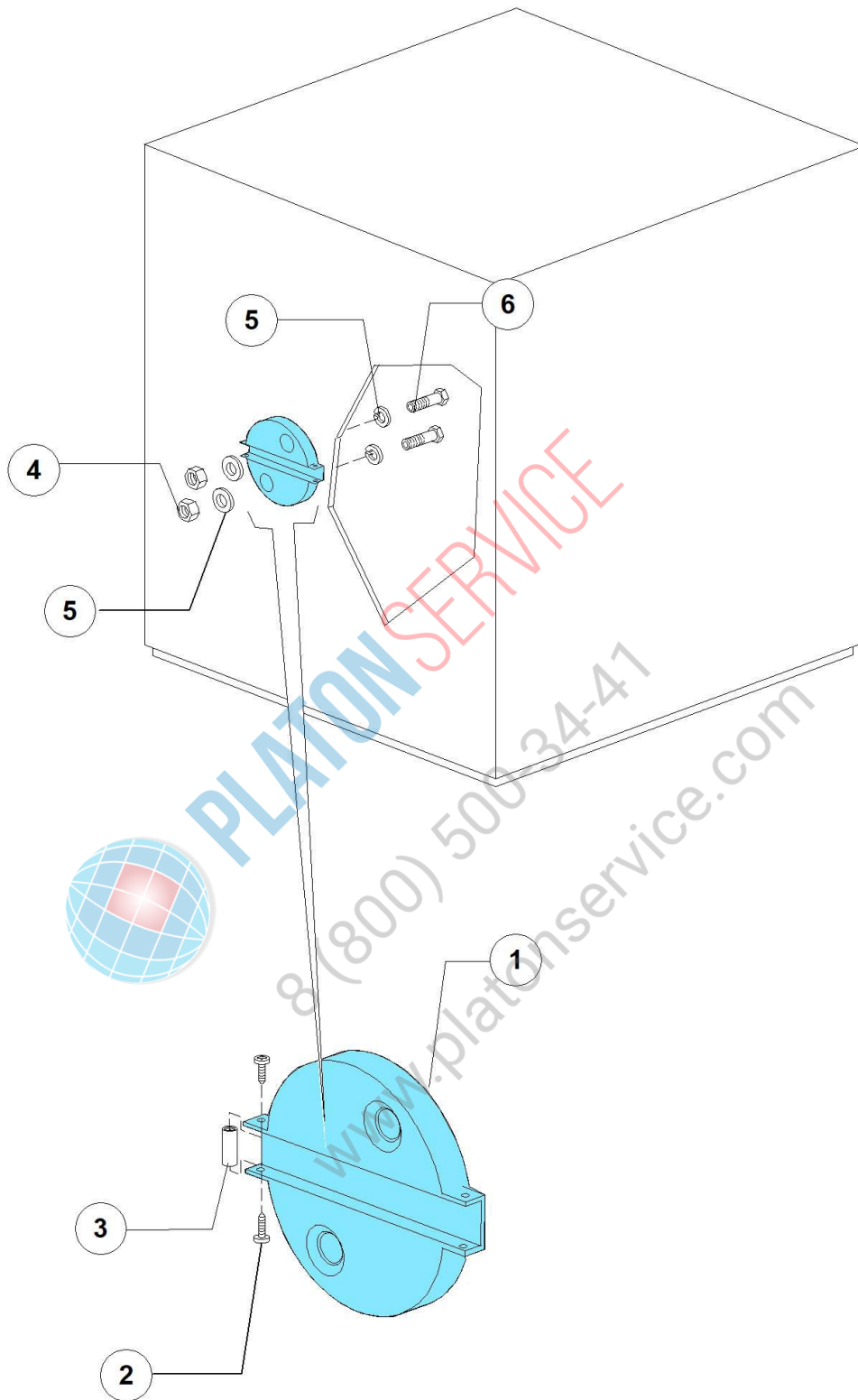


HT11 UGOLINI PS DDE TS 380-400/3N/50 - DWD1008488 - Capotta - DW014

Pos.	Codice	Descrizione	Description
1	DW76001	CAPPOTTA COMPLETA 11/04	COMPLETE HOOD 11/04
2	DW76080	PATTINO SCORRIMENTO CAPOTTA 11/04	HOOD SLIDING GUIDE 11/04
3	DW76075	MANIGLIONE CAPPOTTA 11/04 COMPLETO	S/S HOOD HANDLE
4	DW11600913	SPOILER COMPLETO G 12S	SPOILER G12S
5	DW70306	SNODO AGGANCIAMENTO MOLLA PA6 GRIGIO	SLIDING ROLLER FOR SPRING
6	DW89919	RUOTA PER CESTO LP3/LP4	WHEEL FOR BASKET P3S/P4S8
7	DW75303	MOLLA POSTERIORE S11	BACK SPRING
8	DW10800210	VITE TIRANTE CON GANCIO M10X60	ROD SCREW WITH HOOK M10X60
9	DW11718	DADO M8 AUTOBLOCCANTE INOX DIN 982	S/S SELF-LOCKING NUT M8 DIN982
10	DW11185	RONDELLA 8X16 PIANA INOX DIN125	8X16 S/S PLANE WASHER DIN125
11	DW76086	OGIVA PER CAMME DIAM.16	CAM SEAL WASHER D.16
13	DW11222	VITE TESTA BOMB C.E. FLANGIATA M8L25INOX	
14	DW76253	GANCIO A S D6X65	D6X65 HOOK
15	DW76003	SOTTOPORTA INFERIORE 11/04	FRONT PANEL 11/04



PLATON SERVICE  
 8 (800) 500-34-41  
 www.platonservice.com



**HT11 UGOLINI PS DDE TS 380-400/3N/50 - DWD1008488 - Camma movimento capotta - DW014**

Pos.	Codice	Descrizione	Description
1	DW11600030	#CAMMA MOVIM. CAPPOTTA G 12 P646	CAPOTE MOVEMENT CAM
2	DW11121	VITE M4X8 TCB INOX DIN 7985	M4X8 TCB S/S SCREW DIN7985
3	DW76251	#DIST.Q8X23.5XM4 CAMMA G12/03-11/03	SPACER
4	DW11718	DADO M8 AUTOBLOCCANTE INOX DIN 982	S/S SELF-LOCKING NUT M8 DIN982
5	DW13301	GUARNIZ. IN FASIT 202 D14x8x1,5	O-RING ROLMART D14X8X1,5
6	DW11110	VITE INOX M8x35 TE	M8X35 TE S/S SCREW
6	DW11216	VITE INOX M8x20 TE DIN 933	M8X20 TE S/S SCREW DIN933

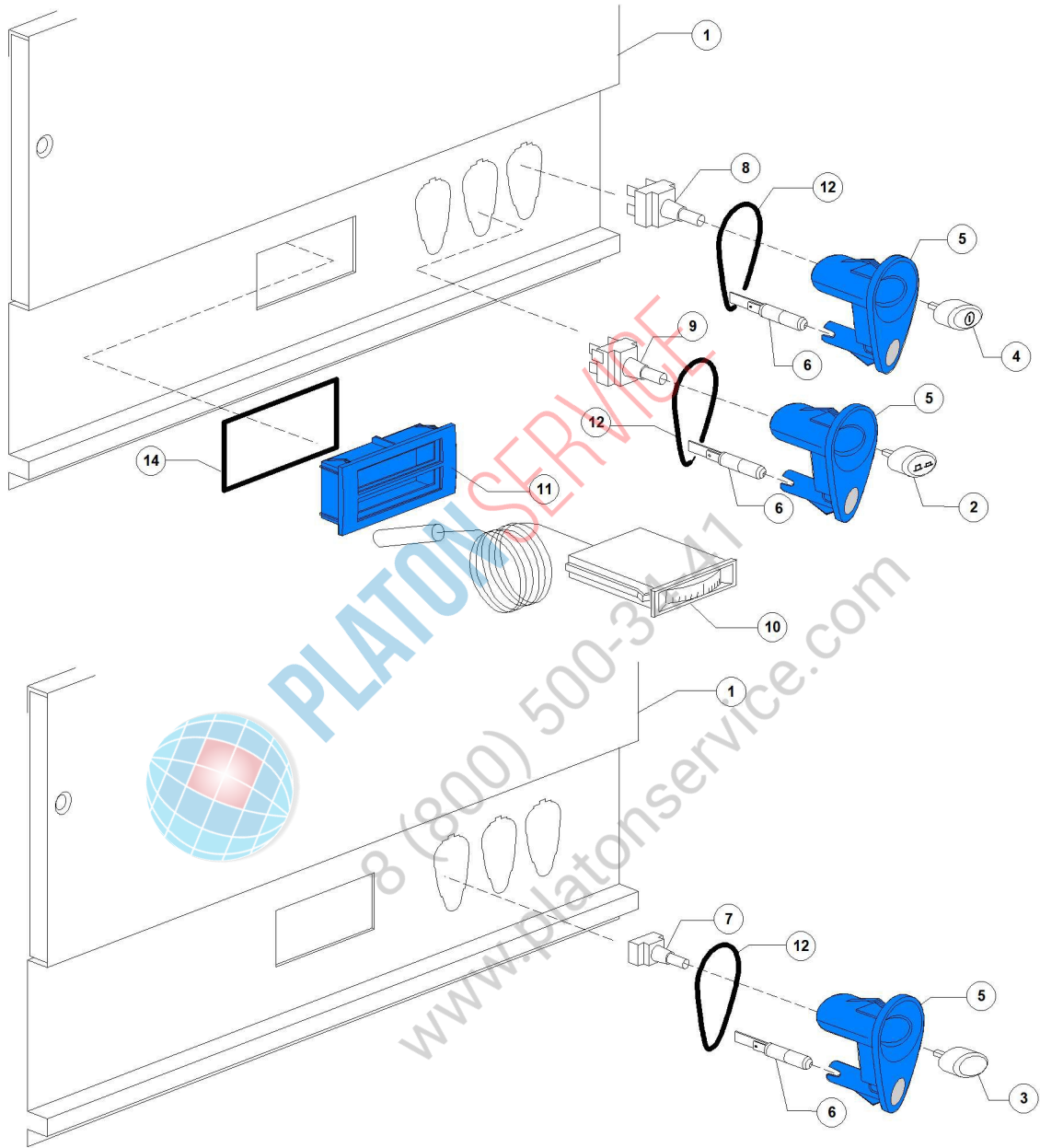


**PLATON SERVICE**

8 (800) 500-34-41

[www.platonservice.com](http://www.platonservice.com)

HT11 UGOLINI PS DDE TS 380-400/3N/50 - DWD1008488 - Pannello comandi - DW014



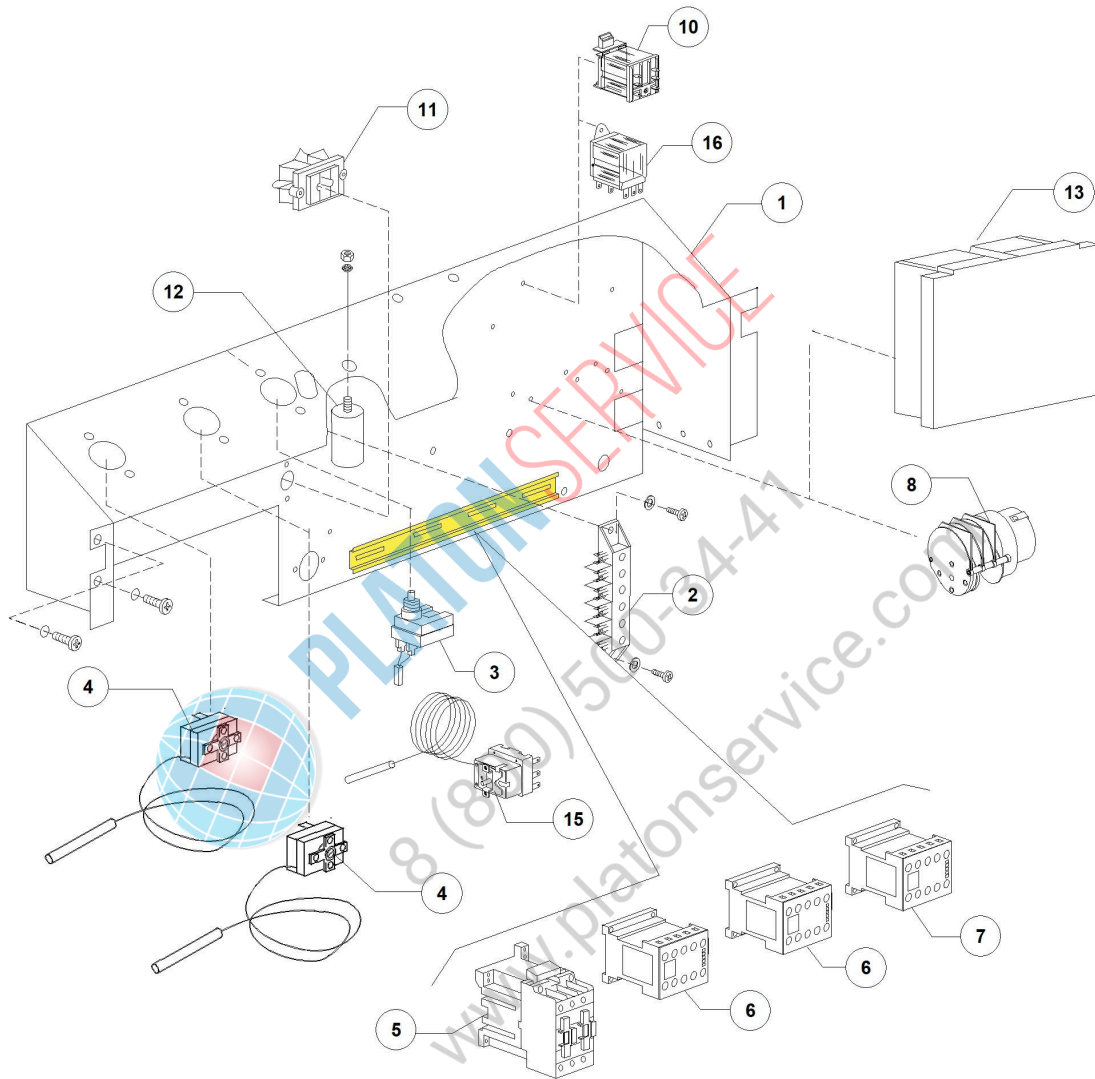


**HT11 UGOLINI PS DDE TS 380-400/3N/50 - DWD1008488 - Pannello comandi - DW014**

Pos.	Codice	Descrizione	Description
1	DW76009	"#PAN.COM.11/04 UGOLINI "HT11" NEUTRO"	
2	DW89342	"TASTO FUNZ."DUE TEMPI" UG."	TIME SELECTOR KEY UGOLINI
3	DW89343	TASTO FUNZ. P.S. UG.	DRAIN PUMP KEY UGOLINI
4	DW89340	TASTO FUNZ.ON-OF UG.	ON/OFF KEY UGOLINI
5	DW89300	"SUPP.TASTO FUNZ."OVALE" UG.+ VETR."	OVAL KEY SUPPORT UG
6	DW15826	LAMPADA 220V TRASPARENTE	WHITE PILOT LIGHT 220V
7	DW15813	FRUTTO PULSANTE UNIP. 16A	16A UNIPOLAR SWITCH
8	DW15812	FRUTTO INTERRUTTORE 16A	16A SWITCH
9	DW15811	FRUTTO DEVIATORE BIPOLARE 16A	16A BIPOLAR SWITCH
10	DW10500011	TERMOMETRO ORIZZ. MINI	HORIZONTAL THERMOMETER
11	DW89306	SUPPORTO TERMOMETRO DOPPIO UG.	DOUBLE THERMOMETER SUPPORT UG
12	DW89332	GUARNIZIONE OR D37X1.5 NBR 70SH NER	O-RING D.37X1.5 NBR 70SH (MIN. 10 PCS)
14	DW89331	GUARNIZIONE OR D58X1.5 NBR 70SH NER	O-RING D.58X1,5 NBR 70SH (MIN. 5 PCS)



**PLATON SERVICE**  
8 (800) 500-34-41  
www.platonservice.com



**HT11 UGOLINI PS DDE TS 380-400/3N/50 - DWD1008488 - Componenti elettrici - DW014**

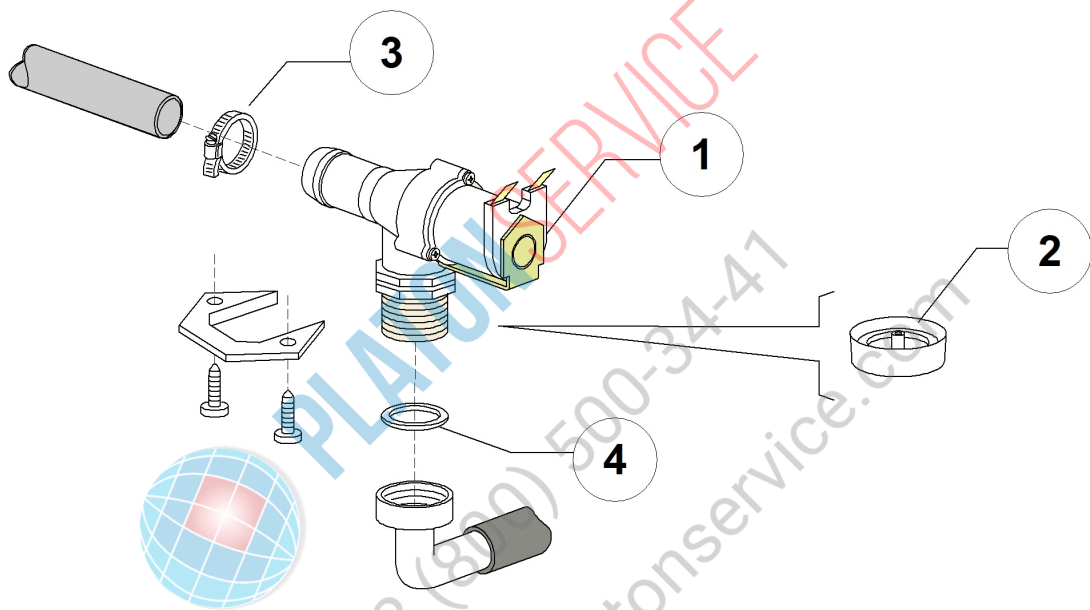
Pos.	Codice	Descrizione	Description
1	DW76002	PORTACOMPONENTI 11/04	ELECTRIC COMPONENTS PANEL 11/04
2	DW500551	MORSETTIERA 6 POLI KL116/6	TERMINAL BOARD 6 POLES FV122 RED
3	DW2000430	TERMOSTATO DI SICUR. 110 1500PVC	SAFETY THERMOSTAT 110 1500PVC
4	DW10707/1	TERM.0-90 TR2 C1500+PVC POST.N/ALB	THERMOSTAT 0-90 TR2 C1500+PVC POST.N/ALB
5	DW10300050	TELERUTT. 25A/12A 4NA 230V 50-60HZ	CONTACTOR 25A/12A 4NA 230V 50-60HZ
6	DW15086	TELERUTTORE 230V 50/60Hz 4C AC3(6A)	CONTACTOR 230V 50/60Hz 4C AC3(6A)
11	DW15065/A	FISSACAVO PER VITI AUTOF (NR.2x11007)	CABLE-FASTENER WITH SCREW
12	DW15149	FILTRO ANTIDIS.F3 (CX0.47MF)	ANTIJAMMING FILTER F3 (CX0.47MF)
13	DW50553/A	TIMER ELET. 50-120-180 CAPOTTA	ELECTRONIC TIMER 50-120-180 HOOD MACHINE



**PLATON SERVICE**

8 (800) 500-34-47

[www.platonservice.com](http://www.platonservice.com)



HT11 UGOLINI PS DDE TS 380-400/3N/50 - DWD1008488 - Valvola di carico - DW014

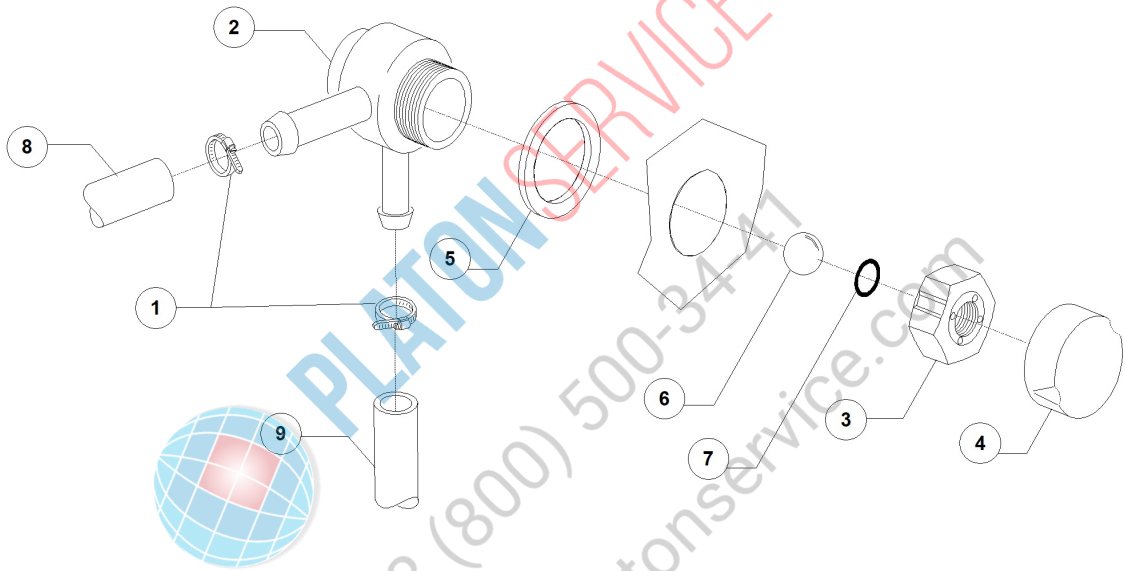
Pos.	Codice	Descrizione	Description
1	DW30001000	ELETTROVALVOLA SINGOLA 90° D.14	SINGLE SOLENOID VALVE 90° D.14
3	DW11807	FASCETTE AISI 430 12/22	CLAMP 12/22 AISI 430
4	DW13307	GUARNIZ. 3/4 CARICO H2O DIS.LS061	GUARNIZ. 3/4 CARICO H2O DIS.LS061



PLATON SERVICE

8 (800) 500-34-41

[www.platonservice.com](http://www.platonservice.com)



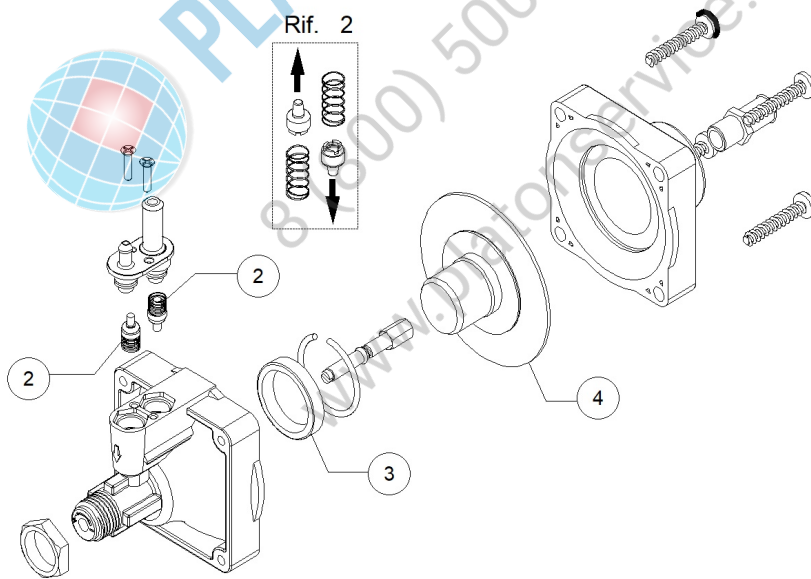
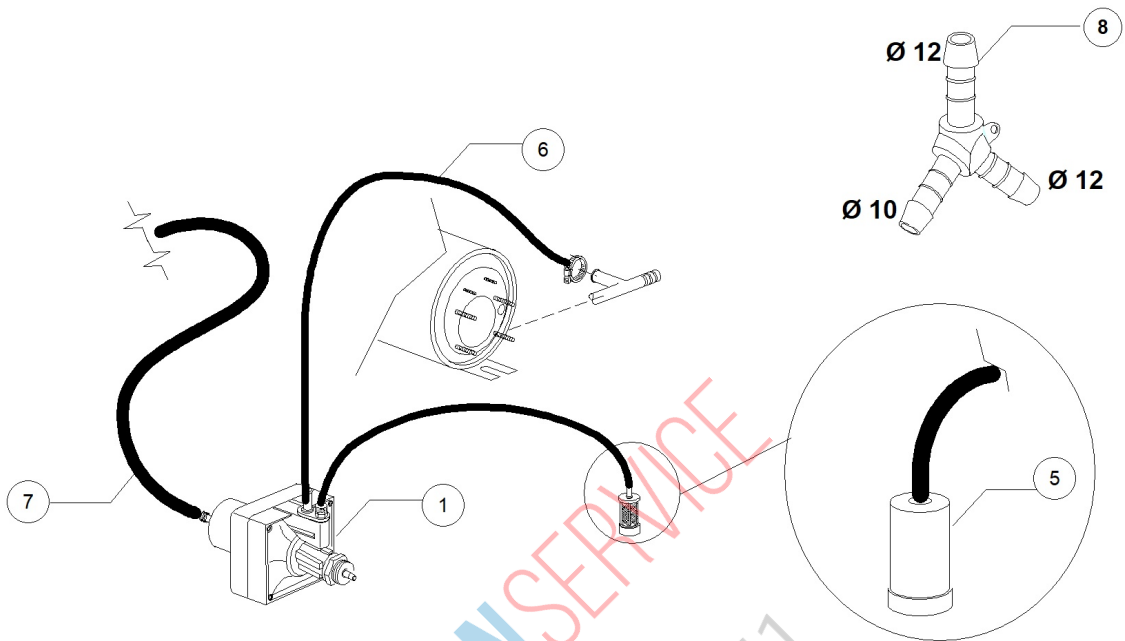
PLATON SERVICE  
8 (800) 500-3441  
www.platonservice.com

**HT11 UGOLINI PS DDE TS 380-400/3N/50 - DWD1008488 - Valvola DVGW - DW014**

Pos.	Codice	Descrizione	Description
1	DW11807	FASCETTE AISI 430 12/22	CLAMP 12/22 AISI 430
2	DW15280	CORPO CENTRALE VALVOLA DVGW 07	DRAIN VALVE CENTER BODY
3	DW15281	DADO VALVOLA DVGW 07	VALVE NUT
4	DW15282	COPRI DADO VALVOLA DVGW 07	VALVE NUT COVER
5	DW15283	GUARNIZIONE VALVOLA DVGW 07	VALVE GASKET
6	DW15284	"SFERA 5/8" VALVOLA DVGW 07"	"5/8" BALL FOR DVGW VALVE 07"
7	DW15285	GUARNIZIONE OR 115 KTW VALVOLA DVGW 07	O-RING 115 KTW
8	DW14506	TUBO GOMMA DIAM 9,5X16 EPDM	9,5X16 EPDM RUBBER PIPE
8	DW2907351	TUBO GOMMA EPDM 11,5X19	11,5X19 EPDM RUBBER PIPE
9	DW14506	TUBO GOMMA DIAM 9,5X16 EPDM	9,5X16 EPDM RUBBER PIPE
9	DW2907351	TUBO GOMMA EPDM 11,5X19	11,5X19 EPDM RUBBER PIPE
9	DW2907353	TUBO GOMMA ACQUA POTABILE 13X21	13X21 POTABLE WATER RUBBER PIPE



**PLATON SERVICE**  
8 (800) 500-34-41  
[www.platonservice.com](http://www.platonservice.com)





**HT11 UGOLINI PS DDE TS 380-400/3N/50 - DWD1008488 - Gruppo dosatore Brillantante - DW014**

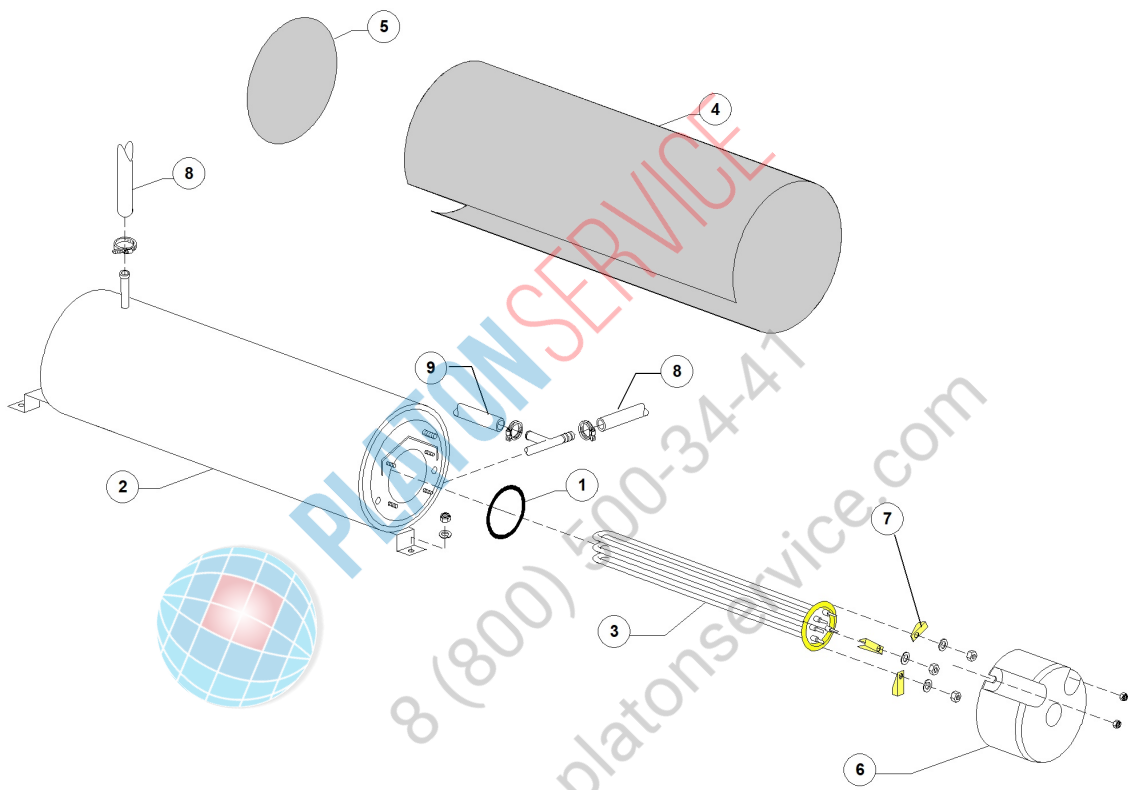
Pos.	Codice	Descrizione	Description
1	DW10799	DOSATORE BRILLANTANTE (TECNO PRO)	RINSE AID DOSING PUMP
2	DW10805	VALVOLE+MOLLE(2)DOS.BRILL.TECNOPRO	TECNOPRO NON RETURN VALVE
3	DW10806	GUARNIZIONE D22 DOS.BRILL.TECNOPRO	GASKET D.22
4	DW10807	MEMBRANA X DOSATORE BRILL.TECNOPRO	MEMBRANE FOR DOSING PUMP
5	DW15058	FILTRINO CON PESO ASPIR. DET/BRIL	SMALL FILTER (MIN. 3 PCS)
6	DW10200293	TUBO EPDM 8X15 PER DOSATORE	8X15 EPDM PIPE
7	DW14506	TUBO GOMMA DIAM 9,5X16 EPDM	9,5X16 EPDM RUBBER PIPE



**PLATON SERVICE**

8 (800) 500-34-41

[www.platonservice.com](http://www.platonservice.com)



HT11 UGOLINI PS DDE TS 380-400/3N/50 - DWD1008488 - Gruppo boiler - DW014

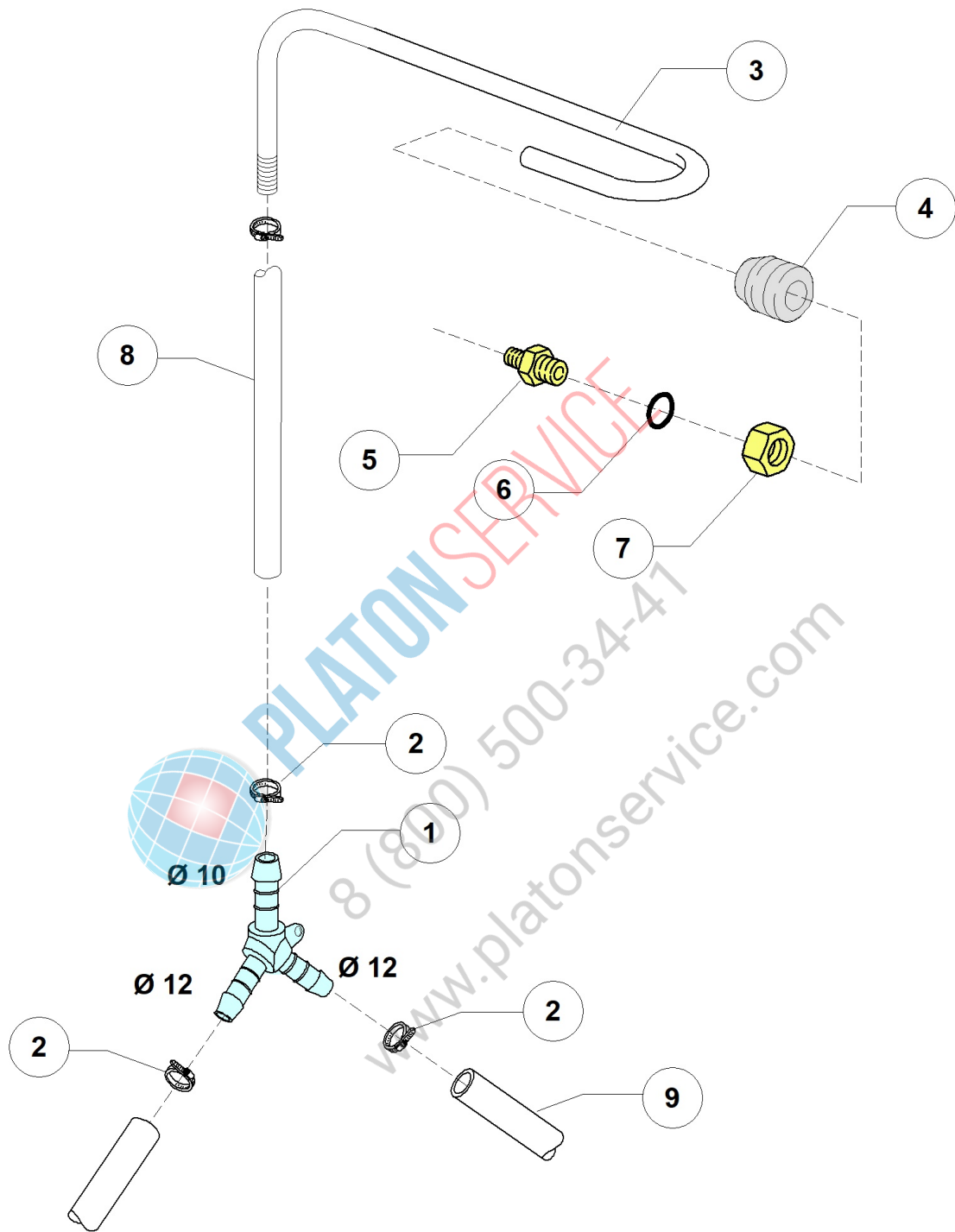
Pos.	Codice	Descrizione	Description
1	DW13015	GUARNIZIONE 6225 OR 160 NBR	6225 O-RING 160 NBR
2	DW22002	BOILER D160x490 (AISI 304)	BOILER D160x490 (AISI 304)
3	DW30001011	RESIST.9000/9800W 230/240V 3	9000/9800W 230/240V 3 HEATING ELEM.
4	DW30002030	COIBENTAZIONE BOILER D.155X500	BOILER INSULATING D.155X500
5	DW75205	DISCO IN ESPANSOLENE. AUTOESTING. D.160	INSULATING DISK D.160
6	DW75311	CUFFIOTTO PER RESISTENZA 26/03/97	HEATING ELEMENT COVER
7	DW16045	STAFFE FISSAGGIO RESIST.FORO 6.3	HEATING ELEMENT MOUNTING BRACKET D.6,3
8	DW2907351	TUBO GOMMA EPDM 11,5X19	11,5X19 EPDM RUBBER PIPE
9	DW10200293	TUBO EPDM 8X15 PER DOSATORE	8X15 EPDM PIPE



PLATON SERVICE

8 (800) 500-34-41

www.platonservice.com



HT11 UGOLINI PS DDE TS 380-400/3N/50 - DWD1008488 - Deviazione 3 vie - DW014

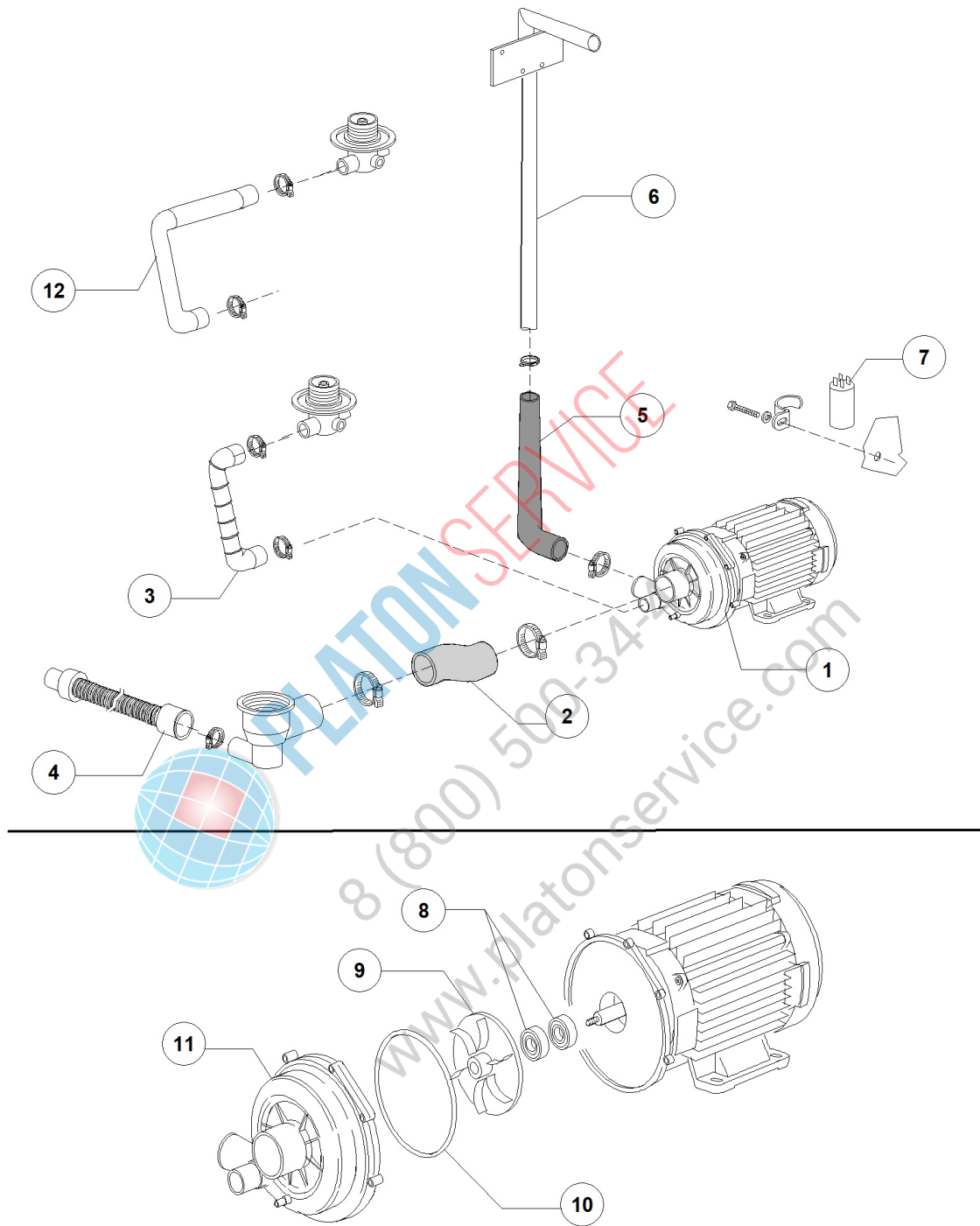
Pos.	Codice	Descrizione	Description
1	DW540104	DERIV. 3VIE Y D.12-12-10 PLASTICA	PLASTIC Y-PIECE D.12-12-10
2	DW11807	FASCETTE AISI 430 12/22	CLAMP 12/22 AISI 430
3	DW76082	RAMPA RISC. 11/04-G12/03 COMPLETA	RINSE RISER 11/04 12/03
4	DW13304	GUARNIZIONE PASSATUBO 70SH	PIPE-PASS O-RING
5	DW12006	RACC. TUBO RISC.DIAM.10 COMP. INOX	S/S RINSE PIPE FITTING D.10
6	DW13003	GUARNIZIONE OR 112 NBR	O-RING 112 NBR (MIN. 10 PCS)
7	DW12006/A	DADO3/8x3,5ES.19 X RACC.TUBO DIAM10	"HEXAGONAL NUT 3/8" D.10"
8	DW14506	TUBO GOMMA DIAM 9,5X16 EPDM	9,5X16 EPDM RUBBER PIPE
9	DW2907351	TUBO GOMMA EPDM 11,5X19	11,5X19 EPDM RUBBER PIPE



PLATON SERVICE

8 (800) 500-34-41

www.platonservice.com

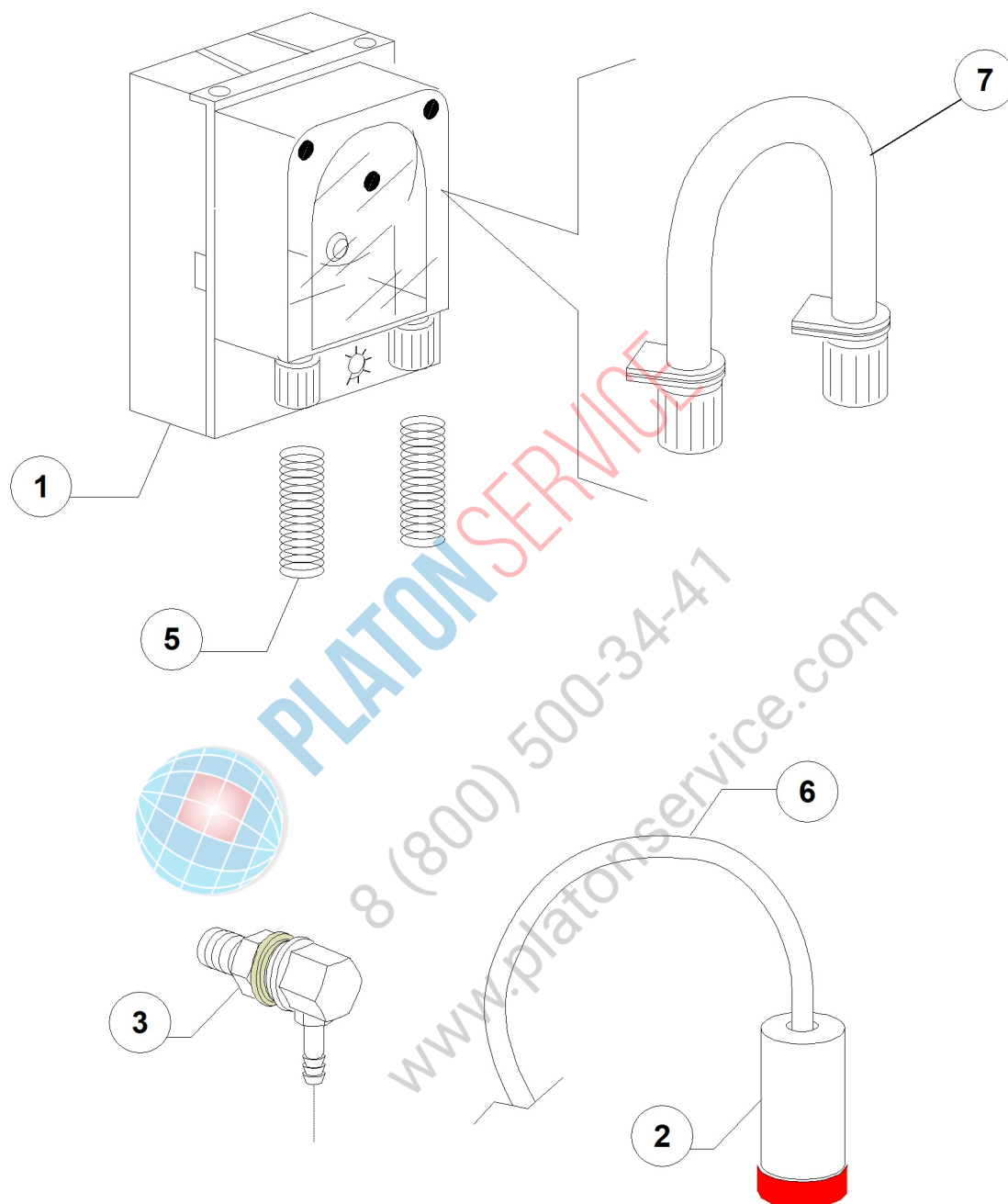


**HT11 UGOLINI PS DDE TS 380-400/3N/50 - DWD1008488 - Gruppo pompa di lavaggio - DW014**

Pos.	Codice	Descrizione	Description
1	DW22009	POMPA HP 1.5 230 V. MONO	PUMP HP1.5 230V
2	DW25032	MANICOTTO ASPIR.95 GS100 DIAM.60/60	SUCTION PIPE COUPLING
4	DW10727	CANNA SCARICO mt.1.5 D.24 PICCOLA	DRAIN HOSE 1,5MT D.24
5	DW76078	TUBO DIAM.50/35 MANDA.SUP.11/03	TOP DELIVERY HOSE D.50/35 11/03
6	DW11600103	RAMPA LAVAGGIO G12/03-11S/03	WASH RISER G12/03 11S/03
7	DW15081/A	CONDENSATORE 16 uF.X450V.	16 UF CONDENSER
8	DW15080/F	#PREMISTOPA+CONTROFACCIA TEN_10+TEN_002	ROTATING SEALS
9	DW15079/A	GIRANTE POMPA D.102A.	PUMP ROTOR D.102A
10	DW15080/A	GUARNIZIONE HP 1.5	PUMP GASKET 1,5HP
11	DW22009/D	CHIOCCIOLA D.170 T40 D60-50-30 APERTO	SCROLL FOR PUMP D.170
12	DW15033/A	TUBO EPDM MANDATA LAV.INF. NUOVO	LOW EPDM DELIVERY WASH PIPE



**PLATON SERVICE**  
8 (800) 500-34-41  
www.platonservice.com





**HT11 UGOLINI PS DDE TS 380-400/3N/50 - DWD1008488 - Dosatore detersivo - DW014**

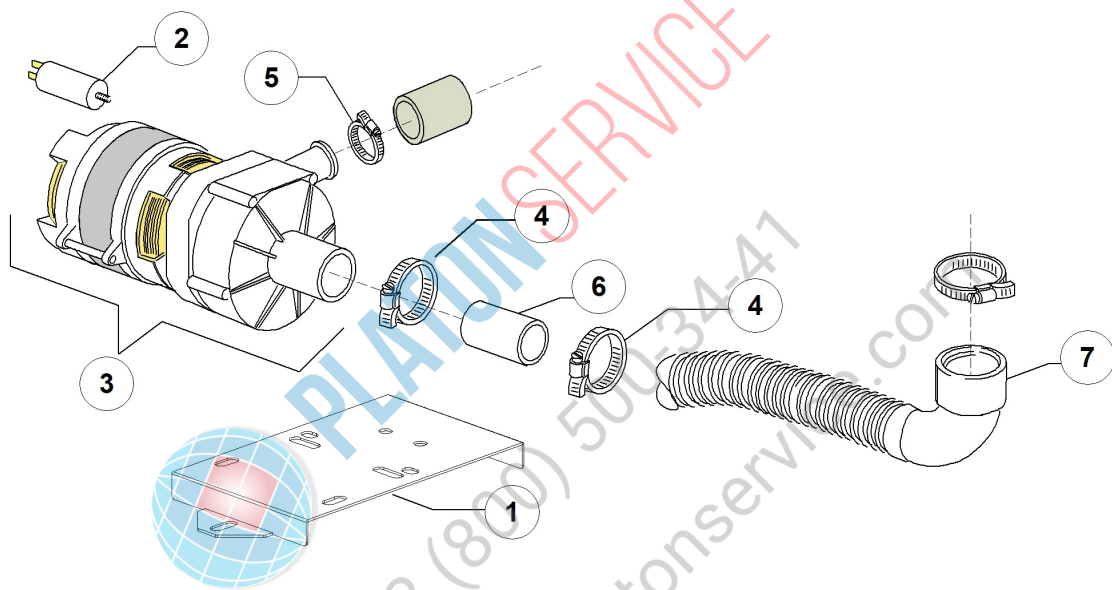
Pos.	Codice	Descrizione	Description
1	DW15985	DOS.ELETT.DET REGOLABILE 0-3LT/H	DETERGENT DOSING PUMP 0-3L/H
2	DW15058	FILTRINO CON PESO ASPIR. DET/BRIL	SMALL FILTER (MIN. 3 PCS)
3	DW15123	INIETTORE DETER. A GOMITO INOX	S/S DOSING PUMP INJECTOR
5	DW10763	MOLLA D.05 INOX PER TUB. D.6x4 PVC	PIPE S/S SPRING
6	DW14503	TUBO PVC DIAM.6x4 TRASPARENTE	D.6X4 PVC TRANSPARENT HOSE
7	DW15108/E	TUBO TERMOPLASTICO DDE GERMAC	GERMAC DISPENSER THERMOPLASTIC HOSE
7	DW15185	TUBO MEMBRANA DDE SEKO DET.	SEKO DISPENSER THERMOPLASTIC HOSE
7	DW15297	TUBO MEMBRANA DDE SEKO 04/2013	SEKO DISPENSER THERMOPLASTIC HOSE
7	DW15297/T	TUBO TERMOPLASTICO DDE TECNOPRO	TECNOPRO DISPENSER THERMOPLASTIC HOSE
7	DW15985/A	#TUBO TERMOPLASTICO DDE MICRODOS	MICRODOS THERMOPLASTIC PIPE



**PLATON SERVICE**

8 (800) 500-34-41

[www.platonservice.com](http://www.platonservice.com)



PLATON SERVICE  
8 (800) 5003447  
www.platonservice.com

HT11 UGOLINI PS DDE TS 380-400/3N/50 - DWD1008488 - Gruppo pompa di scarico - DW014

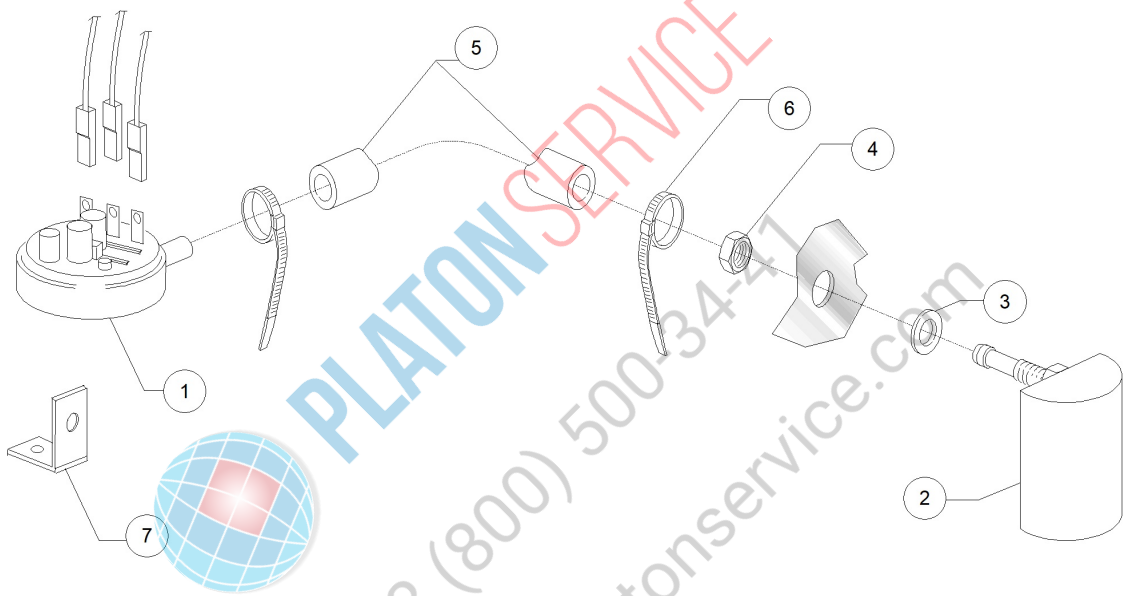
Pos.	Codice	Descrizione	Description
2	DW10702	#CONDENSATORE 5uF 450V	5 UF CONDENSER
3	DW10501/A	POMPA 190W 230V 50Hz (2212)	PUMP 190W 230V/50HZ
4	DW11806	FASCETTE AISI 430 25/40	CLAMP 25/40 AISI 430
5	DW11836	FASCETTA INOX 20/32	S/S CLAMP 20/32
6	DW18044	TUBO DIAM.28 EPDM LAV.SUP. STAR	D.28 EPDM PIPE
7	DW15724	CANNA B.T. D28/D24 DIRITTI L450	BREAK TANK PIPE D.28/24 L450



PLATON SERVICE

8 (800) 500-34-41

www.platonservice.com



HT11 UGOLINI PS DDE TS 380-400/3N/50 - DWD1008488 - Pressostato - DW014

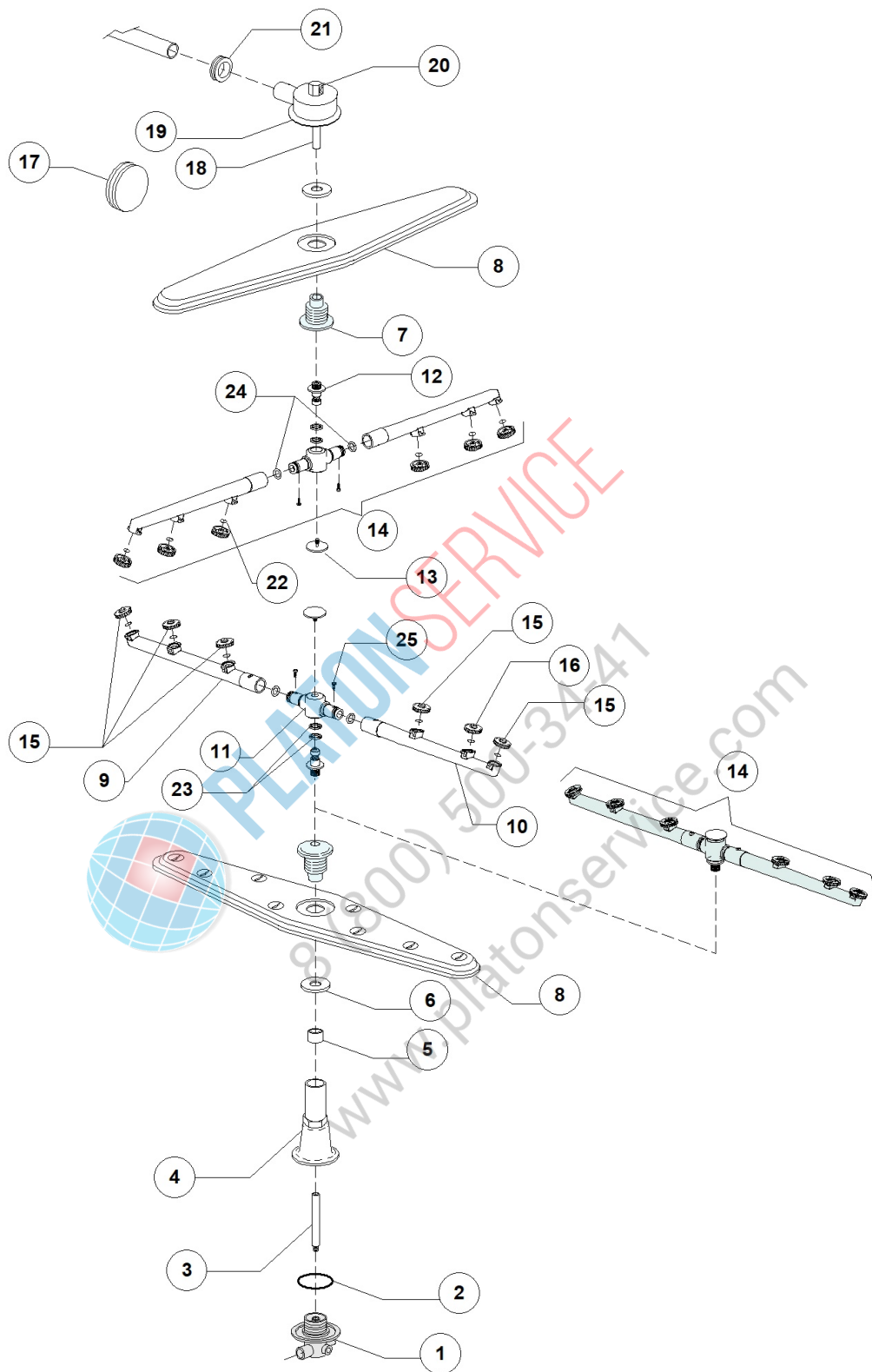
Pos.	Codice	Descrizione	Description
1	DW10706/A	"PRESSOSTATO "EL." 46-26"	PRESSURE SWITCH 46-26
2	DW135911/B	ASSIEME GABBIA D'ARIA GRIGIA L75	GREY AIR TRAP ASSEMBLY L75
3	DW13301	GUARNIZ. IN FASTIT 202 D14x8x1,5	O-RING ROLMART D14X8X1,5
4	DW11702	DADO M8 INOX UNI5588 DIN934	S/S NUT M8 DIN934 (MIN. 20 PCS)
5	DW14508	TUBO EPDM 4.5X9 PER PRESSOSTATO	EPDM HOSE 4.5X9 FOR PRESSURE SWITCH
6	DW10738	FASCETTA PLASTICA 98X2.5	PLASTIC CLAMP 98X2,5



PLATON SERVICE

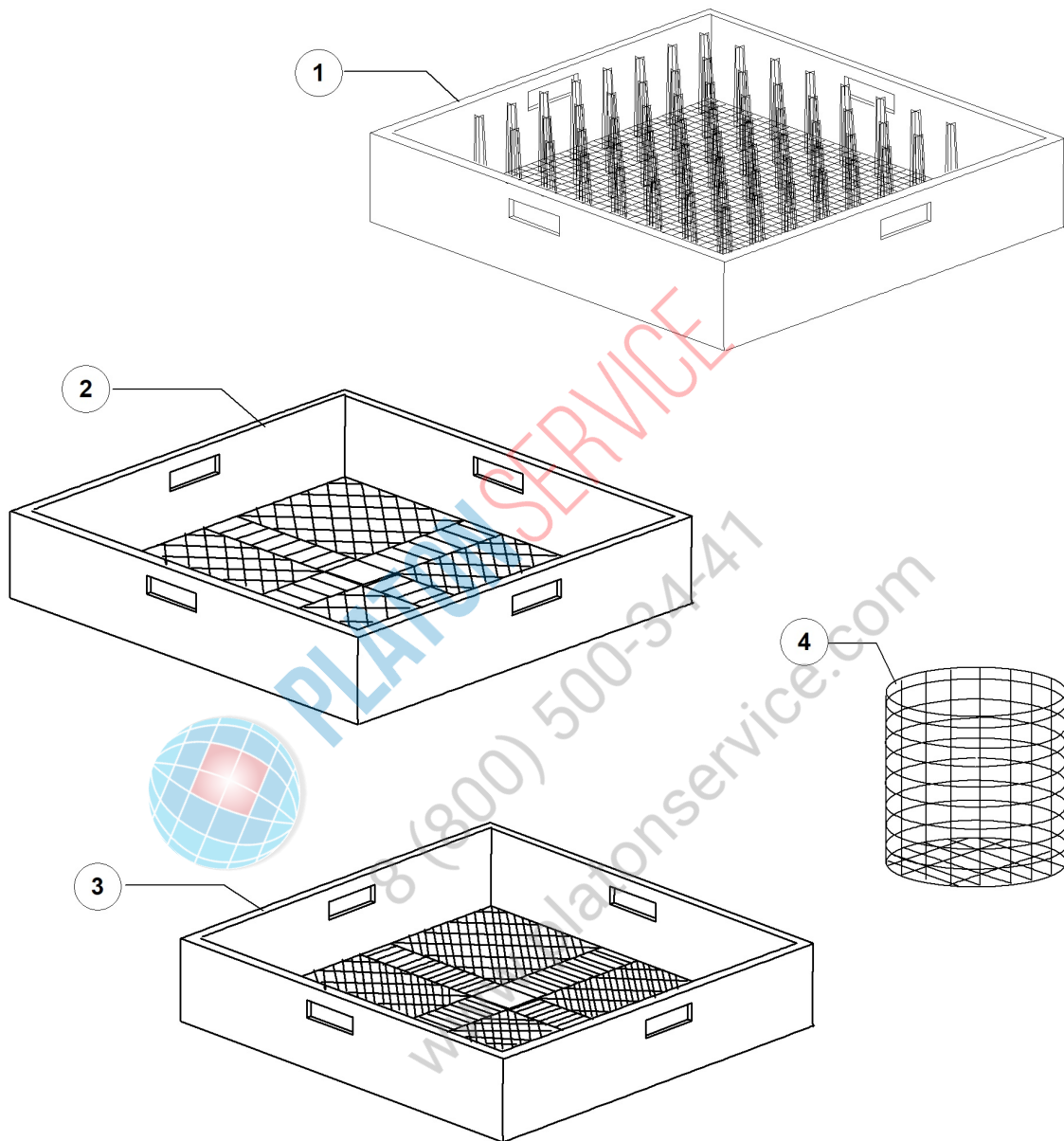
8 (800) 500-34-41

www.platonservice.com



HT11 UGOLINI PS DDE TS 380-400/3N/50 - DWD1008488 - Gruppo lavaggio-risciacquo - DW014

Pos.	Codice	Descrizione	Description
1	DW500612	TORRETTA SUP./INF. GS GRIGIO	WASH ARMS'LOWER / UPPER SUPPORT GS
2	DW13015	GUARNIZIONE 6225 OR 160 NBR	6225 O-RING 160 NBR
3	DW76079	ASSE INF.RISC.11/04 D.16 L.200	LOWER RINSE AXLE
4	DW76077	MANICOTTO INF. 11/04 L172mm GRIGIO	LOWER PIPE COUPLING L172
5	DW75321	DISTANZ.PER MOZZO 11S 98 SU GIR.INF	SPACER FOR HUB
6	DW75317	DADO PER MOZZO GIR. 11S/96	NUT FOR ROTOR HUB 11S/96
7	DW75320	MOZZO PER GIRANTE 11 S 09/98	HUB FOR ROTOR 11S 09/98
8	DW75915	GIRANTE LAVAGGIO 11/03	WASH ROTOR
9	DW75920/D	TUBO RISC. DX GRIGIO 2009	
10	DW75920/S	TUBO RISC. SX GRIGIO 2009	GREY LEFT RINSE ARM 2009
11	DW75920/A	MOZZO PER GIRANTE RISCACQUO 2009	HUB FOR RINSE ROTOR 2009
12	DW10651	ASSE RISCACQUO/03	RINSE AXLE 03
13	DW10652	VITE RISCACQUO/03	RINSE ARM SCREW
14	DW75920	GRUPPO RISC.SUP/INF 2009	UPPER/LOWER RINSE ASSEMBLY 2009
15	DW10371	TESTA UGEL. RISC. 95 APER. GRIG.(MIN 10)	OPENED RINSE NOZZLE (BATCH 10PCS)
16	DW10372	TESTA UGEL.RISC.95 CHIU. GRIGIO (MIN 10)	CLOSED RINSE NOZZLE (BATCH 10PCS)
18	DW75322	PROLUNGA PER ASSE RISC. SUP 11S 98	UPPER RINSE AXLE EXTENSION
19	DW75067	TORRETTA INOX PER GIRANTE INOX 11S	S/SWASH ARMS' LOWER SUPPORT 11S
20	DW75319	"GOMITO RISCACQUO G 1/4"	"RINSE ELBOW G1/4"
21	DW76081	GUARN.RAMPA 51x34x14(11/04-G12/03)	RISER GASKET 51X34X14
22	DW13002	GUARNIZIONE OR R6 NBR	O-RINGR R6 NBR (MIN. 10 PCS)
23	DW75920/B	ANELLI TENUTA MOZZO RISCACQUO 2009	BAGUE D'ESPACEMENT
24	DW13002	GUARNIZIONE OR R6 NBR	O-RINGR R6 NBR (MIN. 10 PCS)
25	DW11004	VITE TCB D.8 DENTATA 4X10 SPAX	4X10 TCB D.8 SPAX TOOTHED SCREW





HT11 UGOLINI PS DDE TS 380-400/3N/50 - DWD1008488 - Cesti - DW014

Pos.	Codice	Descrizione	Description
1	DWC40	CESTO PIATTI PLASTICA 50X50	PLASTIC PLATES BASKET 500X500
2	DWC44	CESTO BICCHIERI MAGL.LARGA PLASTICA	500X500 LARGE MESH GLASS BASKET
3	DWC41	CESTO POSATE MAG.STRETTA PLASTICA	CUTLERY BASKET - TIGHT MESH (PLASTIC)
4	DW15060	INSERTO CUCCHIAINI GRANDI DIS.G.060	CUTLERY BASKET



PLATON SERVICE

8 (800) 500-34-47

[www.platonservice.com](http://www.platonservice.com)



**PLATON**SERVICE

8 (800) 500-34-47

[www.platonservice.com](http://www.platonservice.com)

